

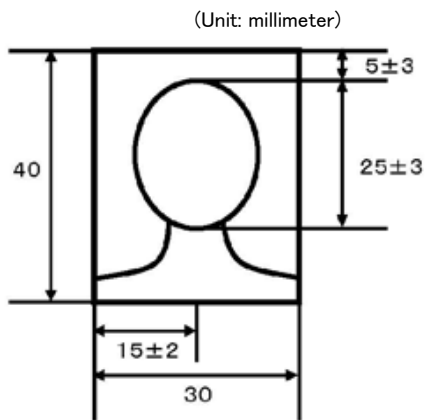
Specifications for the Application Photo

Photo Preparation Guidelines

An application photo should be as specified below.

(https://www.moj.go.jp/isa/applications/procedures/photo_info_00002.html?hl=en)

Please refer to the photograph examples below to help ensure your photo meets the specifications.



1. Dimensions: 40mm x 30mm (1.58" x 1.19").
2. Photo of the applicant only.
3. Dimensions of parts excluding the edges satisfy the dimensions shown in the diagram to the left. Dimensions of the face are from the top of the head (including hair) to the tip of the chin.
4. The applicant is facing forward and not wearing a hat.
5. Plain background (without shadows).
6. Photo is clear.
7. Photo must be one taken within three months of the date of submission.

【Acceptable Photo Examples】

Satisfies all specifications – subject is easily identified:



【Unacceptable Photo Examples】

Photos that do not satisfy the given measurements or specifications:



Off-centered



Face is angled to the side.



Shadow in background.



Body is angled.

Photos in which the face is partly obscured:



Glasses' frame covers the eyes.



Glasses' frame is exceedingly large.



Reflections on the glasses.



The face is partly covered with a mask.



Eyes are obscured by hair.



Cloth wrapping creates a shadow on face. Head wrappings made of cloth are acceptable if the face is clearly visible.

Photos in which identification of the individual is difficult:



Expression differs greatly from normal expression.



Dark background color makes it difficult to determine outline.



Not clear due to focus issue or vibration of camera.



Shadow on face

IMPORTANT NOTICE

PHOTOGRAPHS THAT DO NOT MEET THE ABOVE STANDARDS WILL **NOT** BE ACCEPTED. THIS WILL CAUSE A DELAY IN ISSUING YOUR CERTIFICATE.