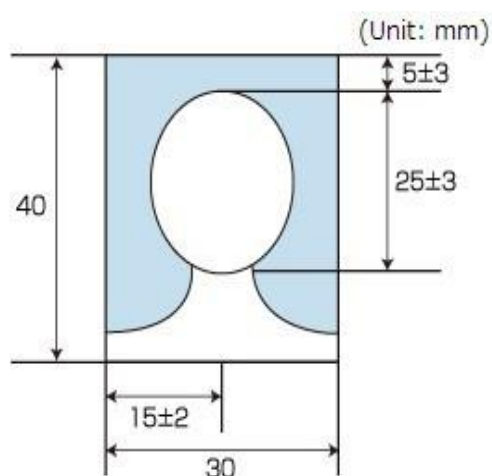


Portrait Photo Requirement

Please upload a recent portrait photo in size and conditions specified below to the online application STEP 2 and submit it as data (jpeg) to the program coordinator.

This will be used for the application form for the Certificate of Eligibility (CoE) submitted to the Immigration bureau, and your student ID card.

The photo that doesn't meet the following conditions will not be accepted by the Immigration bureau and may be requested to be resubmitted.



1. A photo that shows the applicant him/herself alone.
2. A photo of the dimensions specified in the drawing above, excluding the photo's outer border (the dimension of the face refers to the portion from the top of the head [including the hair] to the lower end of the chin).
3. The person should face squarely to the front and remove hats, caps or head coverings.
4. No background or shadows.
5. Must be clear.
6. Must be taken within one month prior to submission.
7. Must be different from the one on your passport.
8. Photo resolution 300dpi or higher (jpeg)

